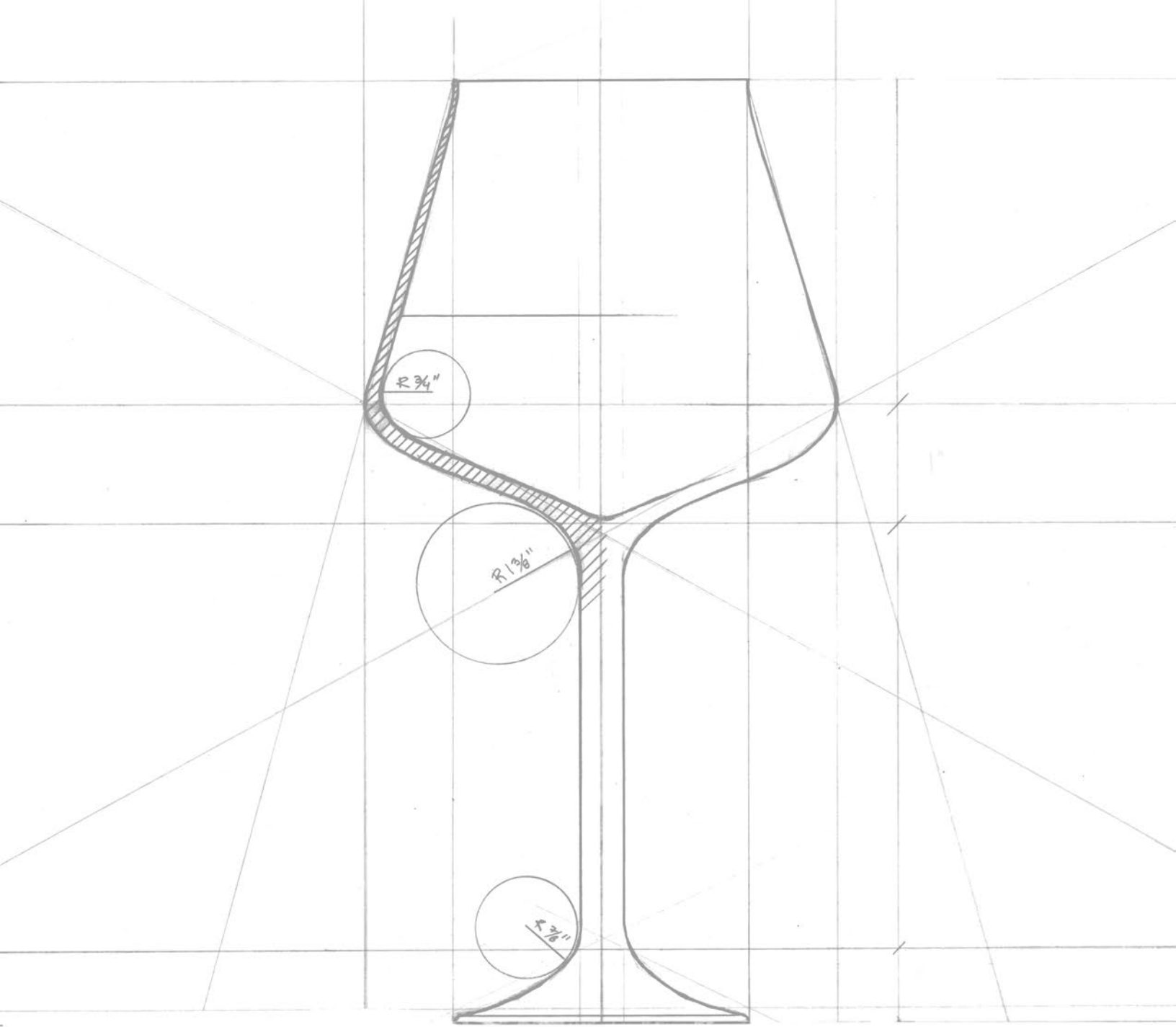




DEPALMA'S™  
ITALIAN CAFE



*Libations*  
li·ba·tions

li.bāSH.nz  
noun  
plural noun: libations  
a drink poured out as an offering to a deity.  
**synonyms:** liquid offering, offering, tribute, oblation  
"they pour libations into the holy well"



## Beer

**Budweiser** 4.  
**Bud Light** 4.  
**Corona** 4.  
**Michelob Ultra** 4.  
**Miller Lite** 4.



**DEPALMA'S**  
ITALIAN CAFE

## Good Beer

**Harpoon UFO White** 5.  
**Fat Tire** 5.  
**Peroni** 5.  
**Sierra Nevada P.A.** 4.5  
**Stella Artois** 5.

## Really Good Beer

**Allagash, Tripel Abbey Ale**  
Portland, Maine, 9.0% 6.75

**Avery, "Ellie's Brown Ale"**  
Colorado, 5.5% 5.

**Bell's, "Kalamazoo Stout"**  
Michigan, 6.0% 5.

**Bell's, "Two Hearted IPA"**  
Michigan, 7.0% 5.

**Creature Comforts, "Tropicalia IPA"**  
Athens, GA, 6.5% 5.

**Innis & Gunn, Scott Ale**  
Scotland, 6.6% 8.

**Lefe, Belgian Abbey Blonde, 6.6%** 5.

**Oskar Blues, "Pinner", IPA**  
Brevard, N.C, 4.9% 5.

**Smuttynose, "Robust Porter"**  
New Hampshire, 6.2% 5.

**Stone, "Delicious", IPA**  
California, 7.7% 5.

**Victory, "Golden Monkey"**  
Belgian Style Ale, PA, 9.5% 6.5

## By The Glass

### Sparkling, Rose & Whites

**NV Malvolti, Prosecco, Italy** 7.5

**'15 La Valentina**  
Cerasuolo d'Abruzzo, Rose, Italy 7.5

**'15 Tenuta di Nozzole, "Le Bruniche"**  
Chardonnay, Toscana, Italy 7.

**'13 Allegrini, "Solosole"**  
Vermentino, Toscana, Italy 7.5

**'15 La Torretta**  
Pinot Grigio, Veneto, Italy 7.5

**'14 Castellucci Miano**  
Catarratto, Sicily 7.5

### Reds

**'14 Farnese, "Fantini"**  
Sangiovese, Abruzzo, Italy 7.

**'12 San Felice**  
Chianti Classico, Toscana, Italy 8.

**'12 Zaccagnini**  
Montepulciano d'Abruzzo, Italy 8.5

**'13 Pipoli**  
Aglanico del Vulture, Basilicata, Italy 8.5

**'13 Vietti**  
Barbera D' Asti, Piemonte, Italy 9.

**'12 Allegrini, Palazzo della Torre**  
Valpolicella-Merlot, Italy 9.

**'13 Bottega Vinaia**  
Pinot Noir, Trentino, Italy 9.

**'11 Le Palaie**  
Sangiovese-Alicante, Toscana, Italy 9.5



# Italian Reds (from lightest to fullest)

## '12 Zaccagnini

**Montepulciano d'Abruzzo** 34.  
Ripe cherry and tobacco aromas, medium full body, concentrated fruit with balanced acidity and a long finish

## '13 Paitin, "Sori Paitin"

**Dolcetto D'Alba** 32.  
Wonderful berry fruit, length & structure are classic Dogliani, mineral, stony, and super long

## '12 San Felice

**Chianti Classico, Toscana** 32.  
Bright ruby red with blackberry, raspberry, and sweet violet on the palate; well balanced with a dry, smooth finish

## '14 Farnese, "Fantini"

**Sangiovese, Abruzzo** 28.  
Ripe, round & decadent. Bright berry, vanilla & dark chocolate character; Full body, rich finish

## '13 Bottega Vinaia

**Pinot Noir, Trentino** 36.  
Velvety and harmonious with notes of cherry, cooked plum, and tobacco

## '13 Vietti

**Barbera D' Asti, Piemonte** 36.  
Dry, medium body, refreshing acidity, soft tannins, complex & balanced with good integration of oak

## '14 Corte alla Flora

**Cabernet, Tuscany** 45.  
Elegant, intense fragrance, hints of red fruit and black currant; soft, long & persistent

## '13 Pipoli

**Aglianico del Vulture, Basilicata** 34.  
Bitter cherry, candied fruit, hints of vanilla and thyme, undertones of spices, subtle minerality, balanced

## '12 Allegrini, Palazzo della Torre Valpolicella-Merlot

36.  
Black cherry, carob, fig, mocha and nutmeg; silky, polished tannins & fresh acidity

## '11 Le Palaie

**Sangiovese-Alicante, Toscana** 38.  
Deep ruby red, rich with ripe fruit and spices; full bodied with a tannic, lasting finish

## '13 Campogiovanni

**Rosso di Montalcino, Toscana** 50.  
Aromas of dark cherry and blackberry with notes of cedar wood; and well structured smooth with youthful, edgy tannins

## '13 Tommasi, Ripasso

60.  
Opens with ripe fruit tones, inky concentration and thick aromas of spice and smoke, the wine tastes round and soft on the palate and ends with a tight, gripping firmness

## '13 Vietti "Perbacco"

**Langhe Nebbiolo** 45.  
Opulent, sweet fruit flavors, ripe and concentrated, thick but juicy, with firm tannins

## '09 Triturris, Chianti Classico

50.  
Elegant red fruits, balanced tannins and a persistent finish combine to create a wine of great harmony

## '14 Tenuta Sette Ponti

**"Crognolo", Toscana** 60.  
Super Tuscan blend of Sangiovese, Merlot, and Cabernet. Full bodied and balanced; ripe cherries, notes of spiced walnuts; a complex and vibrant wine

## '11 Felsina

**Chianti Classico Riserva** 60.  
A darker shade of chianti, offering blackberry, plum and chocolate notes tinged with tobacco, fresh and dense, with energy and a long finish

## '13 Castellucci Miano

**Syrah, Sicilia** 50.  
Full bodied, ruby red; blackberries and blueberries balance leather and tobacco notes on the palate, a smoky finish laced with bacon and black pepper

## '11 La Valentina, "Spelt"

**Montepulciano D'Abruzzo** 50.  
Full-bodied, chewy red, with mineral and berry character and hints of red licorice

## '12 Viticcio, "Prunai"

**Sangiovese Grosso** 85.  
Very ripe raspberry & black cherry on the nose, full-bodied, with silky tannins, toasty oak and an aftertaste of chocolate, coffee and fruit

## '11 Piazza Barolo

80.  
Full bodied and robust with a vibrant garnet hue; rich flavors of crushed raspberries, wild cherry, and cinnamon rounded out in an assertive tannic finish

## The Rest of the World

### '14 The Federalist

**Zinfandel, Lodi, California 40.**

A zinfandel with balance! Red berries & some cherry, with notes of tea leaf, cinnamon & blueberry. Pleasant acidity & a touch of oakiness on the back end.

### '13 Chronic Cellars

**"Purple Paradise," Paso Robles 40.**

A big blend of Zin, Syrah, Mourvèdre & Grenache — cocoa, coffee, vanilla, chocolate smoky toast, leather and spice, a fruit bomb carrying hints of strawberry jam, blueberries, blackberry, cherries, boysenberry, tobacco, and plums.

### '12 Ontañon

**Tempranillo-Granacha, Rioja, Spain 45.**

Cherry, berry and plum flavors; supple, lightly smoky with juicy acidity.

### '12 El Enemigo, Malbec, Mendoza 45.

Full bodied with aromas of black fruit, cherry, and dark breadfruit followed on the palate with spicy blackberry and a lengthy, elegant finish.

### '12 Domaine L'Espigouette

**Rasteau, France 45.**

Aromas of black and blue fruit, smoky minerals, licorice and black pepper. Sweet and aromatic, refreshingly bitter-edged blackberry and floral pastille flavors. Finishes tangy and precise, with silky tannins.

### '10 Peju

**Merlot, Napa Valley 50.**

Vivid plum and black currant, hints of anise and vanilla, complex integrated layers of raspberry, cherry, and cocoa.

### '13 Turnbull

**Estate Cabernet, Napa 60.**

Blackberries and creme de cassis, delicate French oak, silky tannins.

### '12 Solena Cellars, "Hyland Vineyard"

**Pinot Noir Willamette Valley 60.**

A powerful wine focused currant, black cherry and earthy spice, ample acidity and refined tannins.

## Sparkling

### NV Bugey Cerdon

**Gamay Rose, France 40.**

Dry crisp, fresh, every so slightly sweet and incredibly fragrant

### NV Bianca Vigna, Prosecco Brut, Italy 30.

Light-bodied and juicy, offering hints of Dijon pear, spring blossom & black licorice, with a modest, smoke-tinged finish

### NV Laurent-Perrier, Brut, Champagne 60.

Classic brut champagne in every way

## Whites and Rose

### '14 La Valentina

**Cerasuolo d'Abruzzo, Rose, Italy 29.**

Notes of ripe cherry with hints of anise and almonds finishes with delicate tannins and mouth watering acidity

### '15 Tenuta di Nozzole, "Le Bruniche"

**Chardonnay, Toscana, Italy 28.**

Medium-full bodied, notes of citrus, apple and banana; delicate acidity with a smooth finish

### '15 Conde Villar

**Vinho Verde, Portugal 30.**

Pineapple, mango and also citrus with floral notes, a soft minerality, well balanced

### '13 Allegrini, "Solosole"

**Vermentino, Toscana, Italy 30.**

Flavorful, crisp acidity, light creaminess; white flowers, melon, stony minerality, refreshing

### '15 La Torretta

**Pinot Grigio, Veneto, Italy 30.**

Elegant aromas of citrus and white flowers. Dry and fresh with green apples and tropical fruit flavors

### '14 Castellucci Miano

**Catarratto, Sicily 30.**

Fresh citrus fruit and white peaches gracefully intermingle with a sense of the subtle saltiness of the Sicilian ocean air

### '12 Russiz

**Sauvignon Blanc, Friuli, Italy 50.**

A nose of pink grapefruit, green peppers, and fresh sage. Well constructed but silky body and a long crisp fresh citrus finish

### '14 Prinz Zu Salm, "Two Princes"

**Riesling, Germany 40.**

Simple yet elegant with flavors of bright fruit nectar balanced with a light sweetness

### '13 Custard, Chardonnay, Sonoma 34.

Offers charming flavors of white peach, melon, tangerine and nectarine. Fresh and vibrant with a buttery vanilla finish



## *Distilleries Of Distinction*

### **Tito's Handmade Vodka, Texas**

Smooth, easy, & supple 6.5

### **Leopold Brothers Gin, Colorado**

Complex aromatic botanicals & citrus, very clean finish 8.

### **Hendrick's Gin, Scotland**

"Peculiar" & unique, infused with rose & cucumber 9.

### **Bulleit, Kentucky Bourbon**

A blend of rye, corn & barley - with smoky backbone 8.

### **Koval, Organic Rye, Chicago**

100% Rye - notes tangerine & coconut with pepper on the finish 8.

### **Whistle Pig, 100 Proof Rye, Vermont**

A hint of herby spice, cinnamon & grain with a caramel-rich mouth feel 11.

## *Single Malt Scotch*



**Oban, 14 yr** 12.

**Macallan, 12 yr** 12.

**Glenlivet, 18 yr** 15.

**Balvenie, 15 yr, Sherry Cask** 17.



## *Cocktails*

### **Blackberry Old Fashioned**

Blackberry infused Koval Organic Rye with black walnut bitters & muddled brandied cherry & orange 7.

### **Violet Limoncello Lemonade**

Candied lemon infused Tito's Vodka with Meletti Lemoncello, Creme di Violette, & soda 6.5

### **Italian 75**

Leopold Gin, fresh lemon juice & prosecco 7.5

### **Caprese Bloody Mary**

All natural Charleston Fresh & Veggie Bloody Mary Mix, Crop Organic Tomato Vodka with fresh muddled basil, finished with a drizzle of balsamic reduction 7.5

### **Brooklyn Bulleit**

A martini with Bulleit bourbon, Luxardo Maraschino Liqueur, dry vermouth & bitters 9.